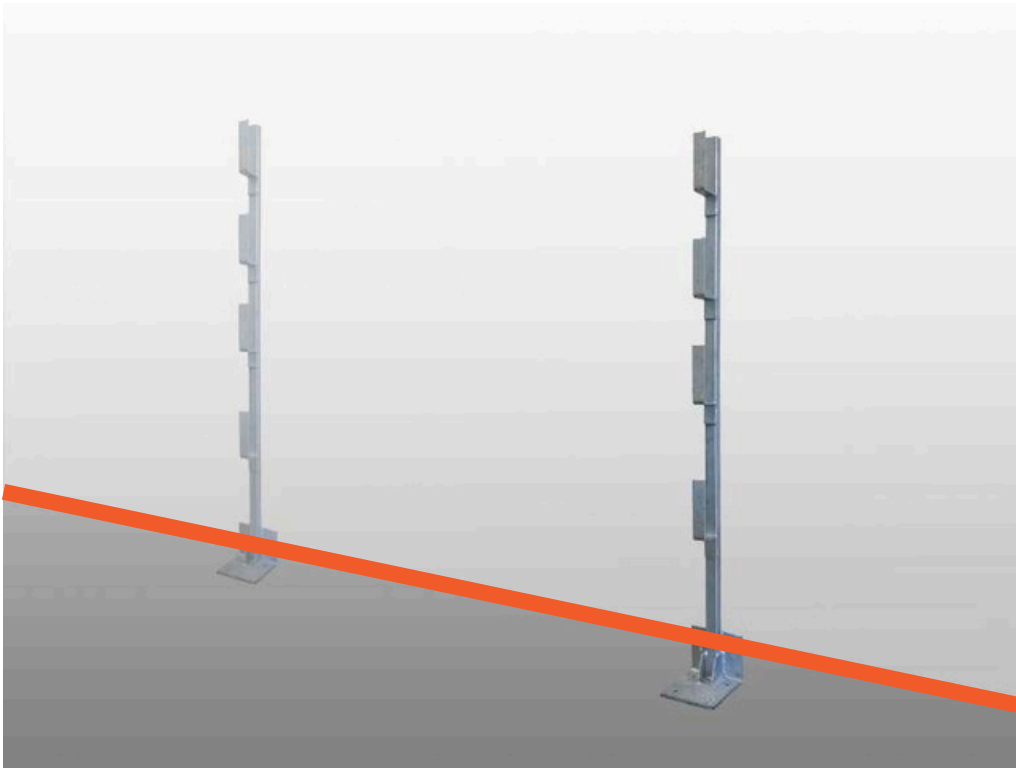
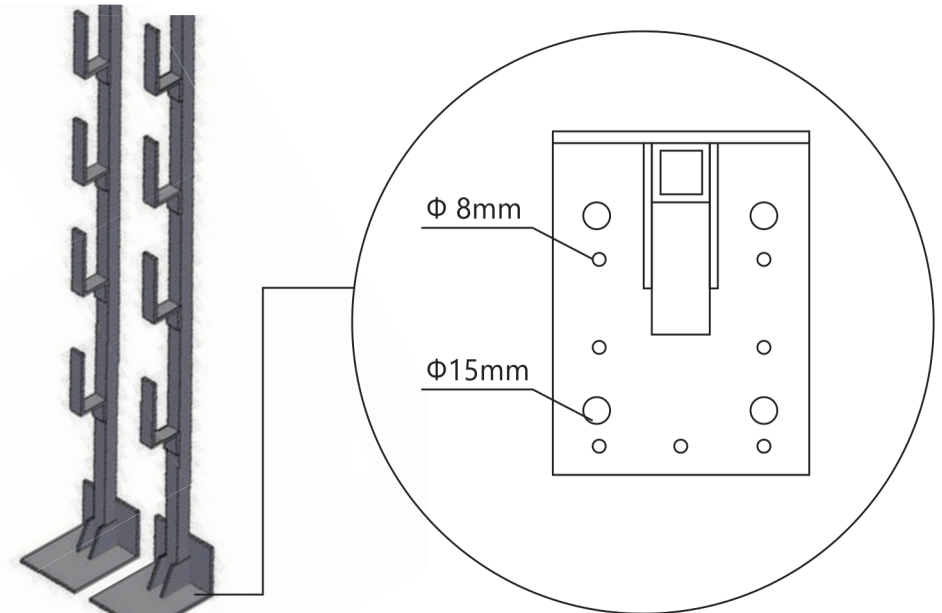


Stanchions User Guide

1 Position the stanchion at the edge, install facing inside.



2 Anchor 4x ankascrews on the base into the existing concrete structure.



ANKASCREW
AS121000
MIN 25MPa

3

Place the timber kickboard on the anchor points of the upright stanchion.

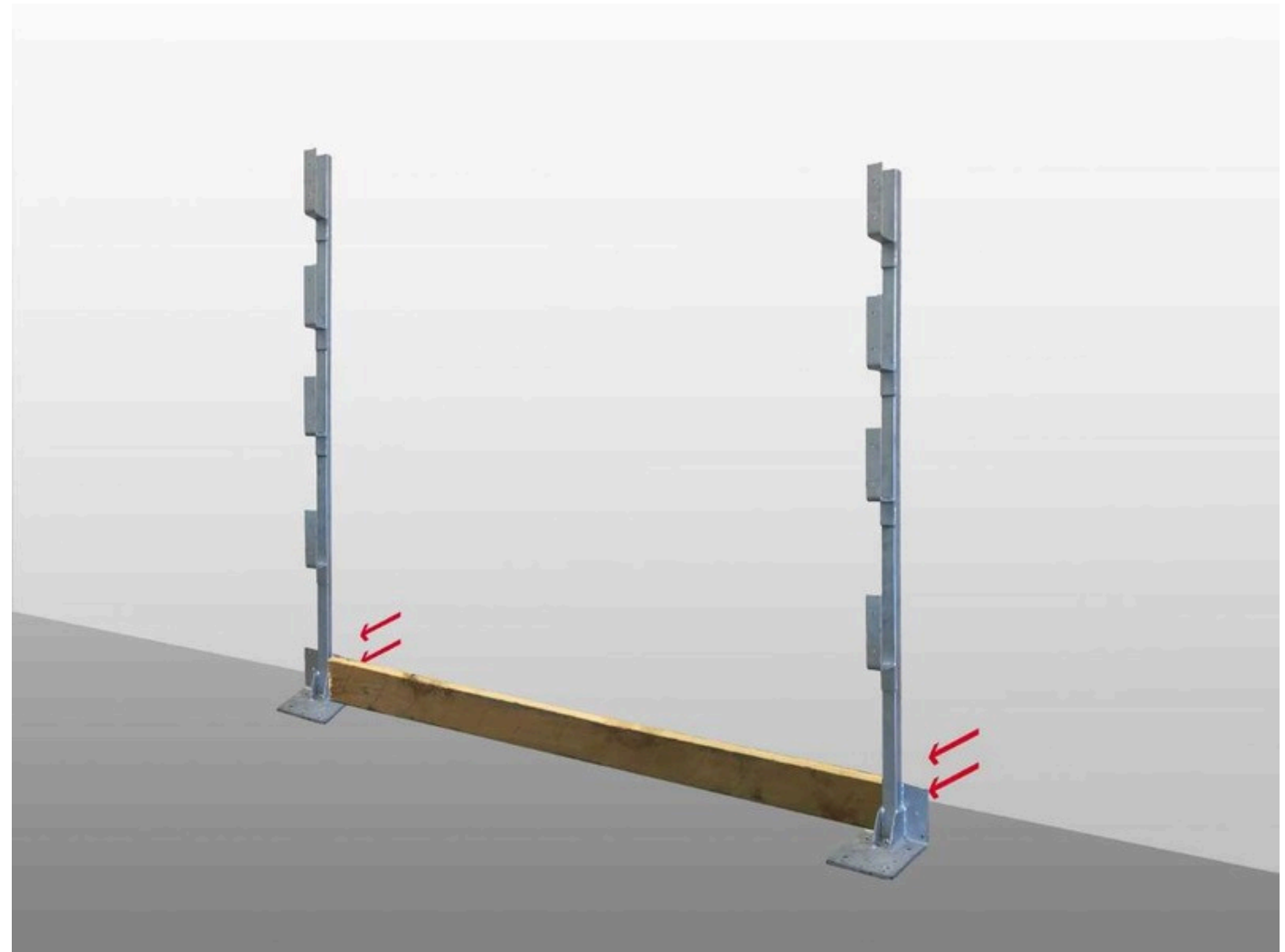
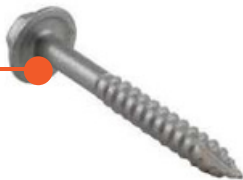
4

Fasten the kickboard with Type 17 self drilling screws.

(positions as shown)

Toeboard minimum size: 38x225mm

Type 17 screw

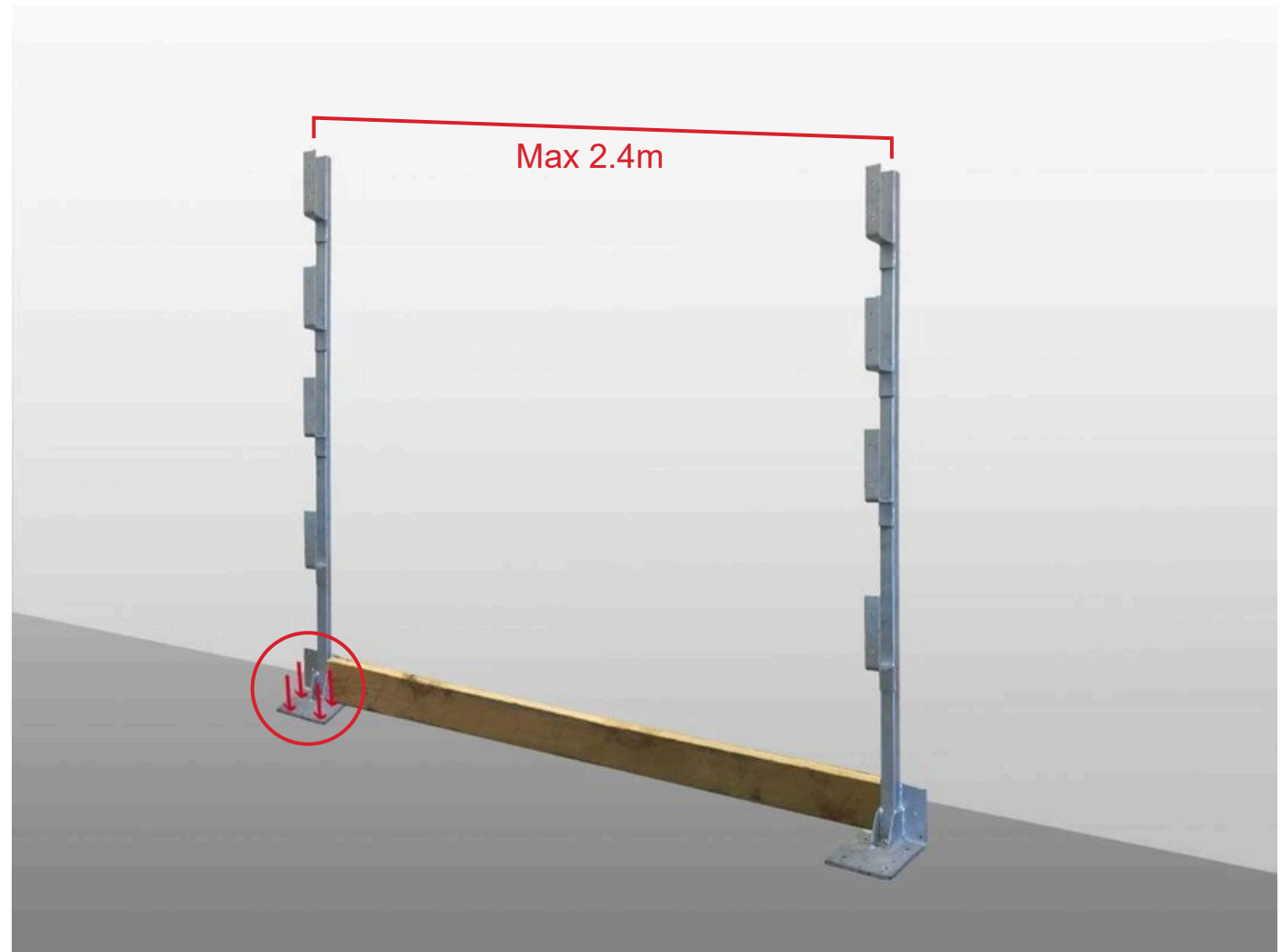


5

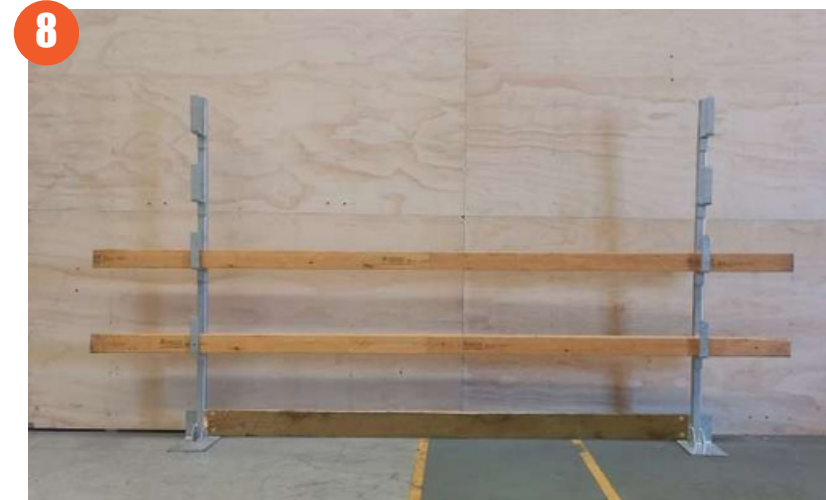
Place the next stanchion at a distance of up to 2.4 metres and anchor the base with screws.

6

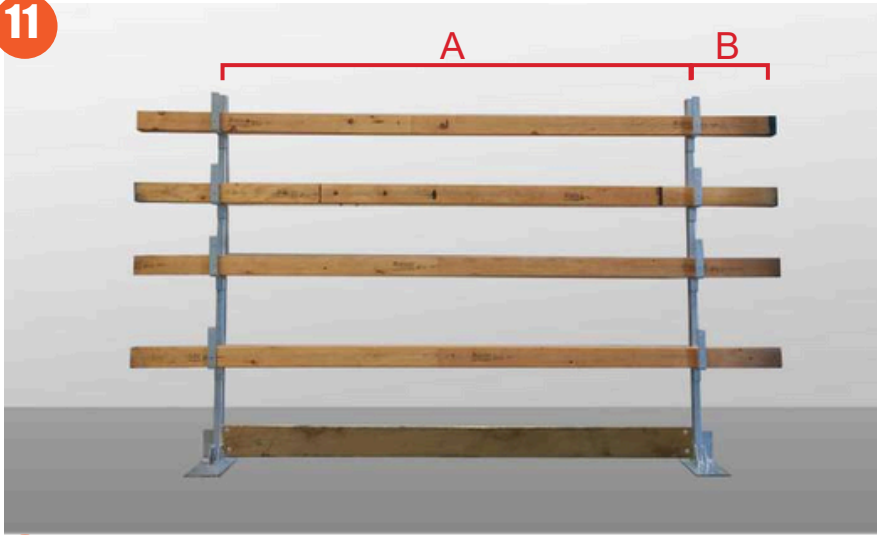
Fasten the kickboard to the second stanchion with screws.



Horizontal 4x guardbearers - LVL95x65. Connect to the post by self-tapping screw bolt.



11



A Maximum distance between two stanchions:
2400mm

B

Maximum overhang of LVL rails on each side:
300mm

12



How to position stanchions in corners?

Our stanchion system has been designed for all scenarios. Please take a look at the picture provided to show how you position the stanchions at an angle.

TRANSPORTING, STACKING AND STORING

1. Observe all regulations applying to the handling of formwork and scaffolding.
2. Remove any loose parts or fix them in place so that they cannot be dislodged or fall free.
3. Use SCAFEAST stillage to safely stack & transport the stanchions.

INSPECTION AND MAINTENANCE

1. Routine inspection has to be carried out during or after the use of the equipment, make sure this is no damage and all components works properly.
2. Only original Austrlia Scaffolding & Formwork components may be used as spare parts.
3. Repairs may only be carried out by the manufacturer or authorized facilities.

We reserve the right to make alterations in the interests of technical progress.