



Types of Scaffolding in Construction

Steel Scaffold

One of the most popular designs. Steel Scaffolds are created with steel tubes set by fittings. Predominantly for outdoor sites.

- Easy assembly
- Increases on-site safety, is strong & fire resistant
- High cost involved

Kwikstage Scaffold

Popular in commercial projects. A modular system using galvanised steel for a more protected, robust platform.

- Modular design for easy assembly
- Lacks portability, limited to surrounding outdoor structures

Mobile Scaffold

Known for portability and flexibility, Mobile Towers are ideal for painting, general upkeep & repairs. Towers can reach seven metres high.

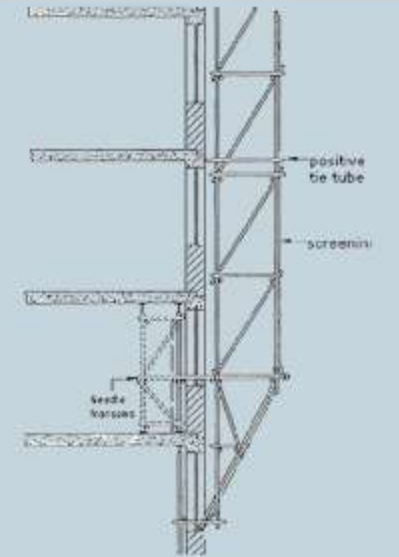
- SWL: 225 - 450kg
- Easy assembly and lightweight
- Modular system with subgroups such as foldable and extra wide platforms



Cantilever Scaffold

Not directly attached to the ground, standards are instead supported by needles protruding from the walls. Usually at an angle adjacent to structure, especially useful around balconies.

- Useful for when regular scaffolding isn't practical (i.e. terrain is too uneven)
- Extensive inspections required for use



Patented Scaffold

The patented scaffold also uses steel but is ready-made. Once bought, they are ready for immediate use.

Brackets support platforms and are set to be adjusted according to user requirements.

Suspended Scaffold

These platforms are suspended by cables connecting to rigs above. Rigs comprise of stirrups or motors that help adjust the height.

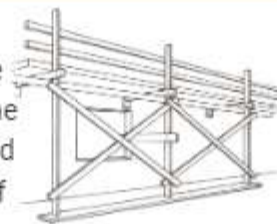
- Lightweight and minimal components
- Motor rig enables efficient height changes
- Only practical on vertical highrises



Single & Double Scaffold

Both are normally for brick masonry. Single scaffolds attach to the wall using putlogs and stand at a distance of 1.2m from the wall.

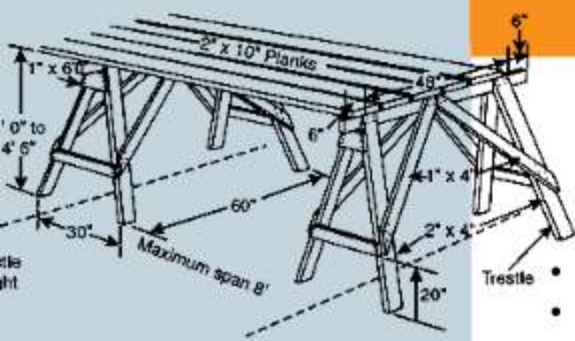
Double variant is also known as independent. It features Reserved for jobs where attaching to walls is not possible.



Trestle Scaffold

Platforms are supported by tripod-like ladders. Trestle Scaffolds are utilised for general maintenance and painting.

- Self-supporting thanks to tripods
- Usually limited to indoor use
- Can only reach a maximum of 5 metres



Talk to a professional to find the right equipment for you